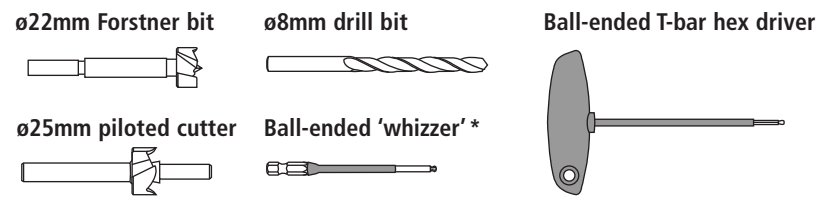


**Notes:**  
 a) The following instructions assume that you are using the purpose-designed tools in the **XX9561** tool kit shown below.  
 If you are using your own cutting tools, please go to **Part 2**.  
 b) For the purposes of these instructions, the word "lockcase" refers to the lock/latch body for all lock/latch types.  
 c) **\*Important: When using the 'whizzer', set your power tool to the lowest available setting (maximum 1.5Nm torque).**

**XX9561 Configurations tool kit**



**Items supplied with Quadaxial lever assemblies**



**Part 1 – Fixing instructions for Quadaxial lever handle assemblies (pairs of lever handles).**

A. Open the lock box ① and mortise the lockcase and strike plate recesses according to the template supplied ②.

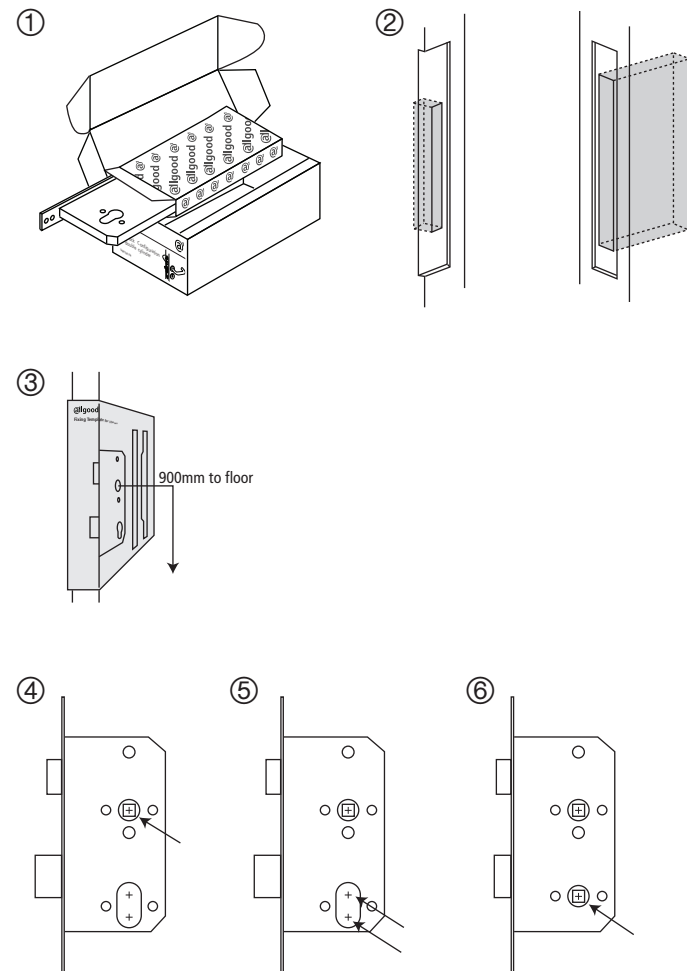
**Note: with reference to the following instructions.**

When a lock is to be used with a single cylinder (one that is only visible from one side of the door), do not repeat the marking/drilling from the other side of the door. Start from the side of the door that will have a cylinder visible and only repeat on the other side for locks that will have a double cylinder or cylinder with turn.

B. Accurately fold the lock template along the door edge line that is marked on the template. Hold the template up to the door with the fold line on the edge of the door and the lever handle spindle centre at the correct height from the floor (normally 900mm) ③.

C. Mark the drill-hole for the centre of the lever handle spindle ④. Also, (for locks) mark the two drill-holes (16mm apart) for the cylinder ⑤ or (for bathroom locks) mark the drill-hole for the centre of the snib turn/emergency release spindle ⑥.

D. Where required, repeat B and C from the opposite side of the door.



Recycle responsibly

E. Return to the original side of the door. Using the ø22mm Forstner bit, drill the lever handle spindle hole through into the lockcase mortise ⑦.

F. **For lock Configurations only:** Drill the two holes (16mm apart) for the cylinder through into the lockcase mortise. Drilling the first hole all the way through and then drilling the other hole is likely to cause problems. Therefore, to make the cylinder hole, drill the first hole a few millimetres deep, then stop and drill the other hole likewise. Continue to drill the two holes in this staggered way until you have created two interlinked holes through into the lockcase mortise ⑧.

G. **For bathroom Configurations only:** Drill the hole for the snib turn/emergency release spindle through into the lockcase mortise ⑨.

H. Where required, repeat E–G from the opposite side of the door.

I. Remove the outer faceplate of the lockcase ⑩. Check the hand of the lock and, if necessary, change the hand of the latchbolt. Push the lockcase into the mortise ⑪. Fix the lock using the screws provided with it ⑫.

J. Using the ø25mm piloted cutter, locate the pilot into the lock 'follower' (the square spindle hole in the lock) and drill the bearing recess (which will accept the protruding bearing on the back of the inner rose) ⑬. The hole depth is correct when the back of the piloted cutter is flush with the door face ⑭.

K. Repeat J from the opposite side of the door.

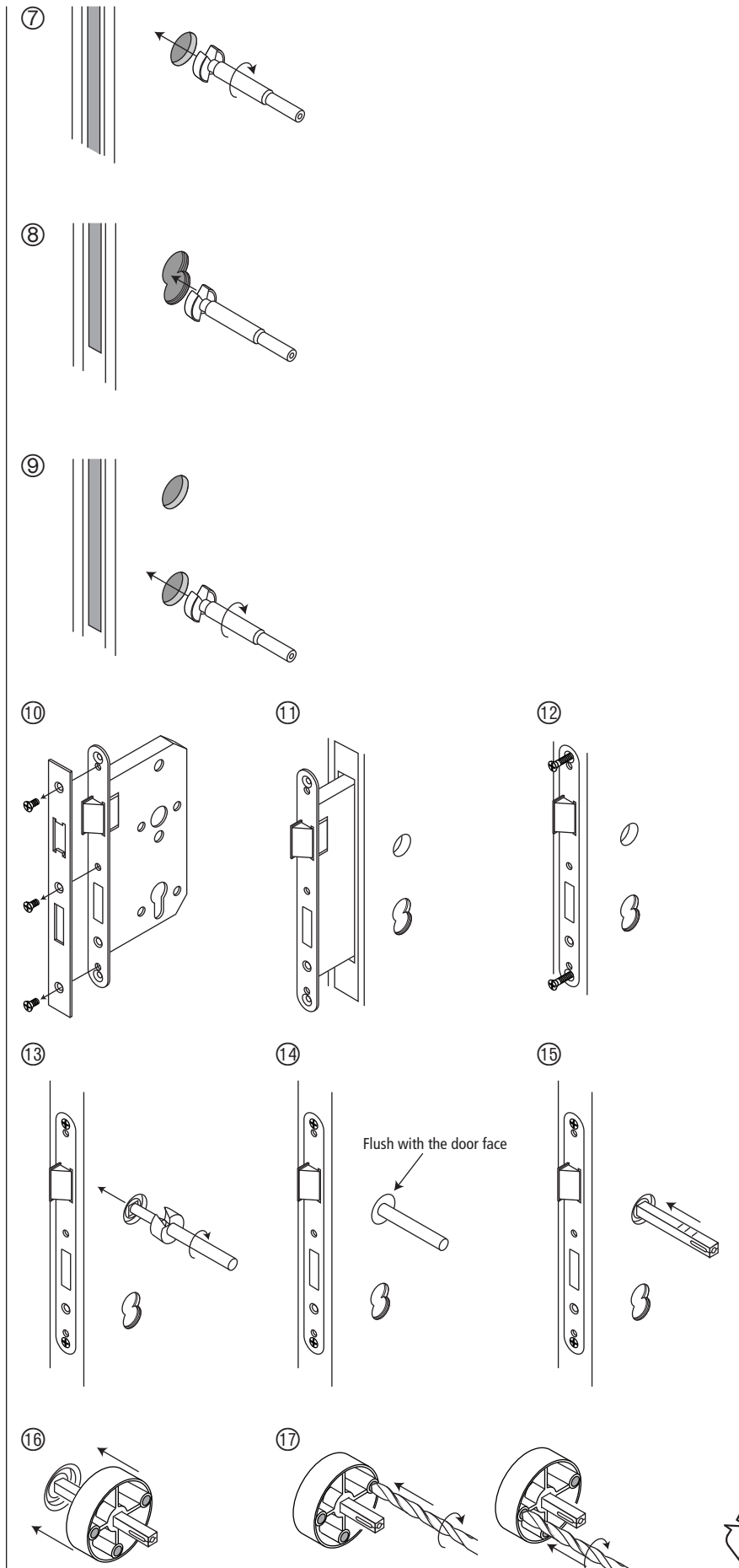
L. Push the lever handle spindle into the lockcase follower ⑮.

M. With the protruding ring facing in towards the door and the pair of holes horizontal, push the black plastic drill jig (provided with the lever handles) over the spindle into the previously drilled ø25mm bearing recess ⑯.

N. Drill two horizontal fixing holes using the ø8mm drill bit, until the drill bit just touches the lockcase ⑰.

**CARE SHOULD BE TAKEN NOT TO DAMAGE THE LOCKCASE**

O. Repeat M and N from the opposite side of the door.



Recycle responsibly

P. Remove the drill jig. Remove the spindle from the lockcase and insert it into one of the lever handles 18. The spindle is stamped with numbers indicating door thickness. Measure your door thickness and align the appropriate door thickness mark with the end of the lever handle shank 19 and tighten the spindle-retaining grub screw using the T-bar hex driver 20, finishing off by securely tightening the grub screw using the short stub of the ball-ended hex wrench that is supplied with the lever handles 21.

Q. Take one of the fixing bolts (gold for 45mm thick doors or silver for 54mm thick doors – the two standard door thicknesses).

If your doors are not either 45mm or 54mm thick, cut down two bolts to suit your door thickness (using gold bolts for 35-44mm thick doors or silver for 46mm to 53mm thick doors). The length of the bolts needs to be the thickness of the door (plus or minus approximately 2mm). Special unthreaded sections on the bolts make cutting them down to size with pliers easy and ensure that the thread will not be damaged.

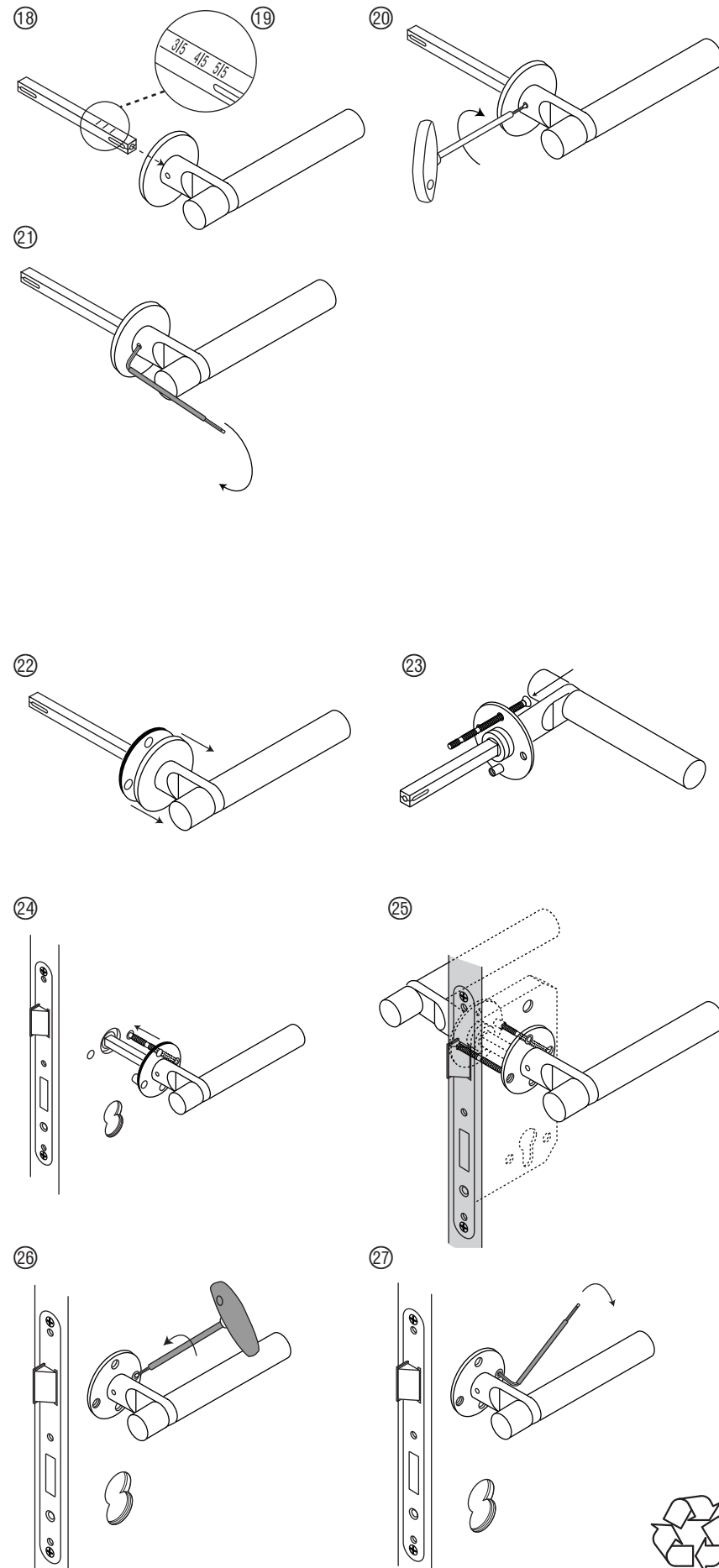
R. Pull off the outer rose from its inner rose, taking care not to damage the lever handle shank 22.

S. Pass one of the fixing bolts through the countersunk hole opposite the threaded boss in the inner rose (it is easier to access the hole when the threaded boss is turned 90° to the lever handle) 23.

T. Carefully push the spindle through the lock follower – there may be some resistance but this is normal 24.

U. Repeat Q, R and S with the other lever handle. Then place the handle over the spindle, feeding the bolts from both sides of the door, through the bolt-through holes in the lockcase, into the threaded bosses of the inner roses on the other side 25.

V. Taking care not to damage the lever handles, tighten both of the fixing bolts using the ball-ended T-bar hex driver 26 or a ball-ended whizzer. Then, fully tighten the bolts using the short stub of the ball-ended hex wrench 27 that is supplied with the lever handles (all three ball-ended tools are designed to operate normally at an angle of up to 30 degrees, thus allowing easy access to the bolt heads).



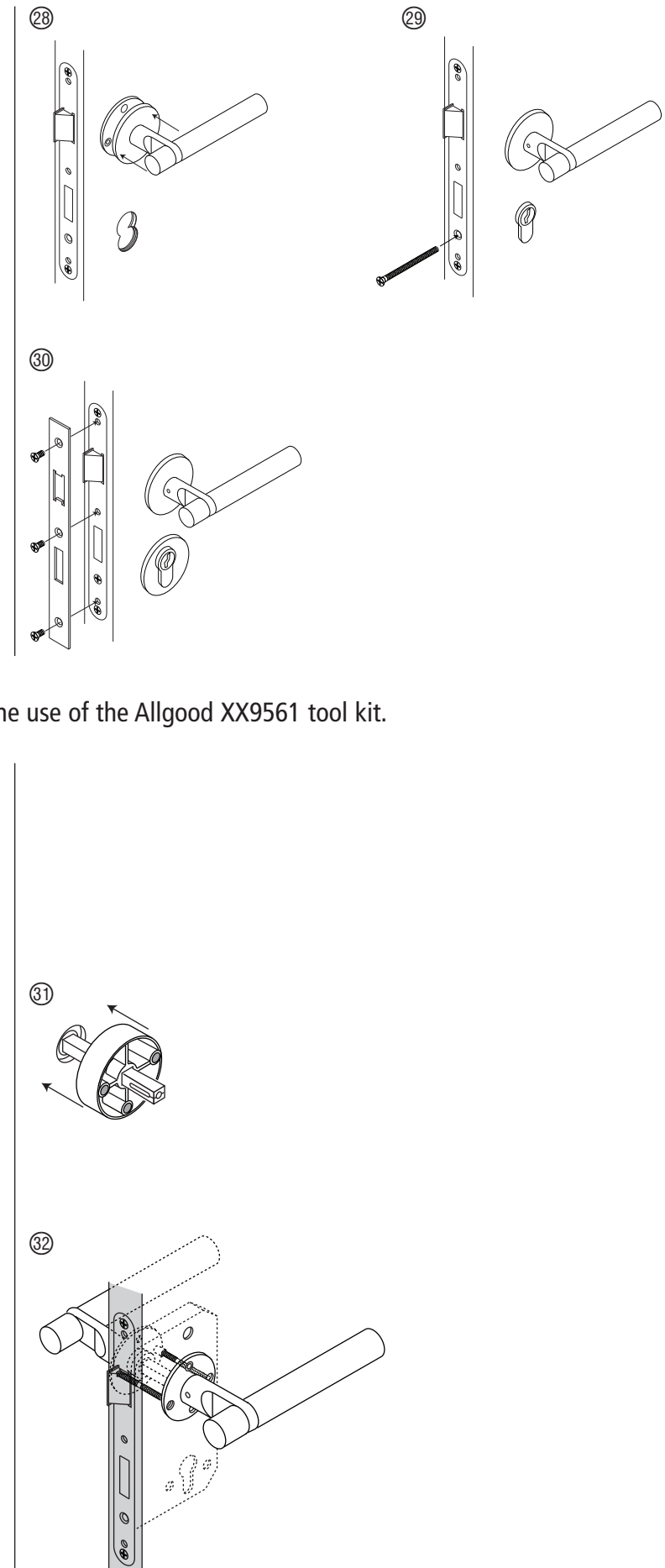
Recycle responsibly

W. Now, test the function.

X. When satisfied that the lever handles are functioning correctly, tighten the other lever handle grub screw using the T-bar and finish off with the stub end of the hex wrench and then press the outer roses over the inner roses 28, to complete the assembly.

Y. Insert the cylinder and fix it in place with the cylinder retaining screw provided with the lock 29. Now fix the cylinder roses with the screws provided.

Z. Fix the outer faceplate of the lockcase to complete the assembly 30.



Part 2 – Fixing instructions without the use of the Allgood XX9561 tool kit.

A. Follow steps A–D in Part 1.

B. Follow steps E–H in Part 1 but using a ø25mm cutter for the lever handle hole.

C. Follow step I in Part 1.

D. Follow step L in Part 1.

E. With the protruding ring facing in towards the door and the pair of holes horizontal, push the black plastic drill alignment jig (provided with the lever handles) over the spindle into the previously drilled ø25mm hole 31. **If the ring does not fit into the ø25mm hole, the hole must be enlarged until it does.**

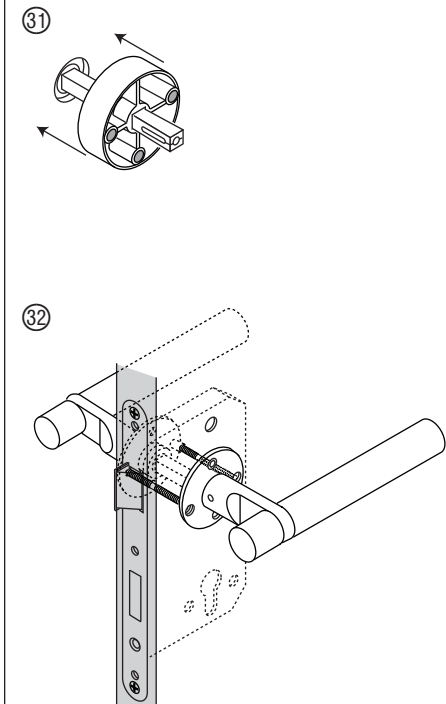
F. Follow step N in Part 1.

G. Repeat E and F, from the opposite side of the door.

H. Follow steps P–T in Part 1.

I. Repeat steps Q–S in Part 1 with the other lever handle. Then place the other handle over the spindle, feeding the bolts from both sides of the door, through the bolt-through holes in the lockcase, into the threaded bosses of the inner roses on the other side 25.

J. Follow steps V–X in Part 1.



Recycle responsibly