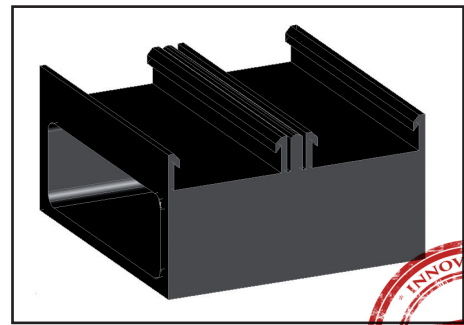
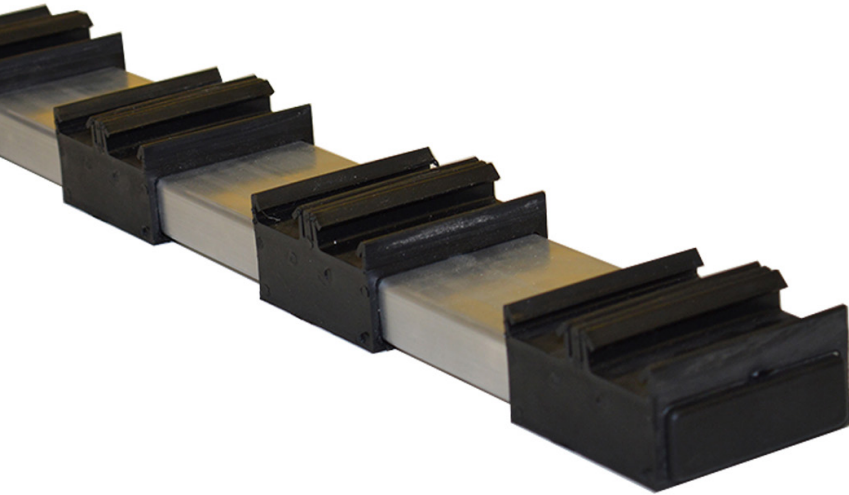


EasyClick system understructure iDecking Revolution patented click system

TECHNICAL DATASHEET



□ *Description*

EasyClick is the innovative system which allows you to install iDecking Revolution boards simply using your feet. No need to use any nails, screws, drills, spacers or “obsolete” clips. The EasyClick system helps ensure a quick and simple troublefree installation.

□ *Characteristics*

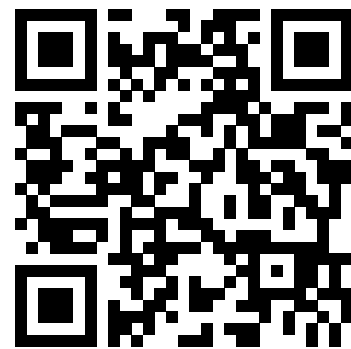
Material	Aluminum
Clips Material	Nylon
Clips number per piece	15 - 22 pcs
Clips Assembly on aluminum	Stainless Steel Nails
Weight	2,3 / 2,5 kg
Lenght	207 cm
Packaging	Pallet (448 pcs)
Jack Supports Interval	60 cm max
Installation limit	below 10 Celsius Degrees

□ *How to use*

EasyClick is essentially comprised of an understructure “rail system” which comes with pre-installed and pre-spaced patented EasyClick nylon clips. Our patented grooved decking boards are then simply pressed and locked in place.

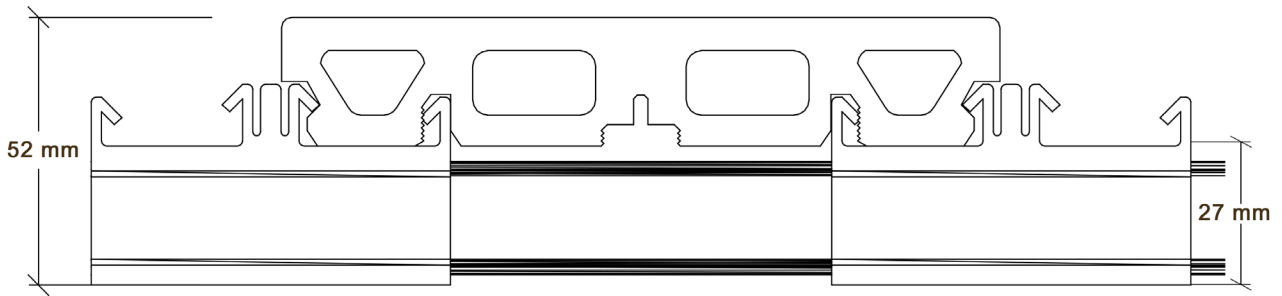
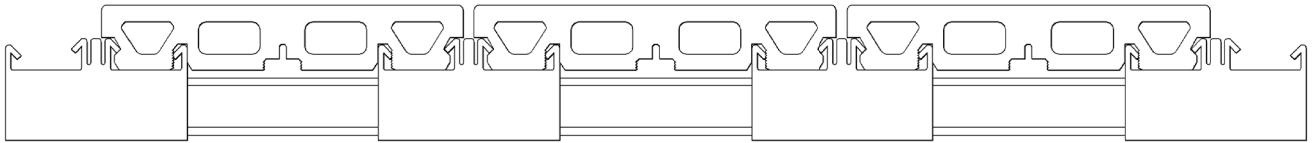
□ *Installation Video*

scan the QR code to watch the EasyClick system installation video or visit www.idecksystems.com



EasyClick system understructure iDecking Revolution patented click system

TECHNICAL DATASHEET



THE GAP DISTANCE KEEPER

iJack

